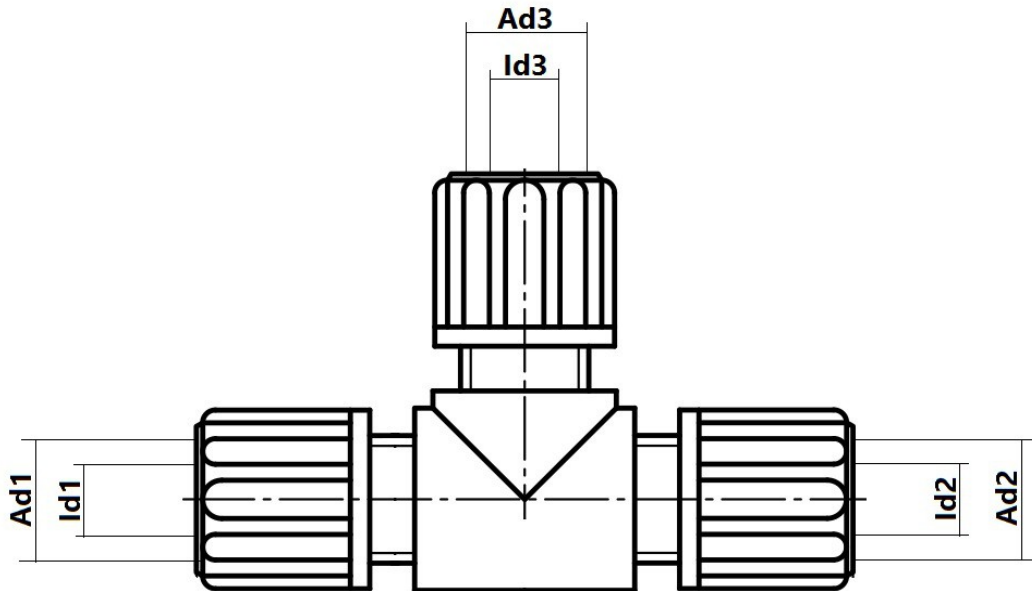


The firm flexible Tubing is pushed over the integrated barbed side. It is fixed by knurled nut which presses a cutting ring to a sealing which forms a tightness for the connection. The shear force of the cutting ring intensifies the contact pressure. A solid, friction-locked, leak-tight and removable Tee-connection with low dead volume is the result.



Id1 = Inner-Ø Tubing 1:	Ad1 = Outer-Ø Tubing 1:	Id2 = Inner-Ø Tubing 2:	Ad2 = Outer-Ø Tubing 2:	Id3 = Inner-Ø Tubing 3:	Ad3 = Outer-Ø Tubing 3:	Material:
○ 3,18 mm (1/8")	○ 6,0 mm	○ 3,18 mm (1/8")	○ 6,0 mm	○ 3,18 mm (1/8")	○ 6,0 mm	○ PFA
○ 3,97 mm (5/32")	○ 6,35 mm (1/4")	○ 3,97 mm (5/32")	○ 6,35 mm (1/4")	○ 3,97 mm (5/32")	○ 6,35 mm (1/4")	○ PVDF
○ 4,0 mm	○ 8,0 mm	○ 4,0 mm	○ 8,0 mm	○ 4,0 mm	○ 8,0 mm	○ Polypropylene
○ 4,23 mm (1/6")	○ 9,0 mm	○ 4,23 mm (1/6")	○ 9,0 mm	○ 4,23 mm (1/6")	○ 9,0 mm	
○ 4,76 mm (3/16")	○ 9,53 mm (3/8")	○ 4,76 mm (3/16")	○ 9,53 mm (3/8")	○ 4,76 mm (3/16")	○ 9,53 mm (3/8")	
○ 5,0 mm	○ 10,0 mm	○ 5,0 mm	○ 10,0 mm	○ 5,0 mm	○ 10,0 mm	
○ 6,0 mm	○ 12,0 mm	○ 6,0 mm	○ 12,0 mm	○ 6,0 mm	○ 12,0 mm	
○ 6,35 mm (1/4")	○ 12,7 mm (1/2")	○ 6,35 mm (1/4")	○ 12,7 mm (1/2")	○ 6,35 mm (1/4")	○ 12,7 mm (1/2")	
○ 8,0 mm	○ 14,0 mm	○ 8,0 mm	○ 14,0 mm	○ 8,0 mm	○ 14,0 mm	
○ 9,0 mm	○ 16,0 mm	○ 9,0 mm	○ 16,0 mm	○ 9,0 mm	○ 16,0 mm	
○ 9,53 mm (3/8")	○ 19,05 mm (3/4")	○ 9,53 mm (3/8")	○ 19,05 mm (3/4")	○ 9,53 mm (3/8")	○ 19,05 mm (3/4")	
○ 10,0 mm	○ 20,0 mm	○ 10,0 mm	○ 20,0 mm	○ 10,0 mm	○ 20,0 mm	
○ 12,0 mm	○ 25,4 mm (1")	○ 12,0 mm	○ 25,4 mm (1")	○ 12,0 mm	○ 25,4 mm (1")	
○ 14,0 mm		○ 14,0 mm		○ 14,0 mm		
○ 15,88 mm (5/8")		○ 15,88 mm (5/8")		○ 15,88 mm (5/8")		
○ 16,0 mm		○ 16,0 mm		○ 16,0 mm		
○ 18,0 mm		○ 18,0 mm		○ 18,0 mm		
○ 22,23 mm (7/8")		○ 22,23 mm (7/8")		○ 22,23 mm (7/8")		

PFA Tee-Tubing Connector Standard Sizes

Part number	Id1 = Inner-Ø Tubing 1:	Ad1 = Outer-Ø Tubing1:	Id2 = Inner-Ø Tubing 2:	Ad2 = Outer-Ø Tubing2:	Id3 = Inner-Ø Tubing 3:	Ad3 = Outer-Ø Tubing3:	Material:
PFTV0001	3,18 mm (1/8")	6,35 mm (1/4")	3,18 mm (1/8")	6,35 mm (1/4")	3,18 mm (1/8")	6,35 mm (1/4")	PFA
PFTV0002	4,0 mm	6,0 mm	4,0 mm	6,0 mm	4,0 mm	6,0 mm	PFA
PFTV0003	4,0 mm	6,0 mm	4,0 mm	6,0 mm	6,0 mm	8,0 mm	PFA
PFTV0004	4,23 mm (1/6")	6,35 mm (1/4")	4,23 mm (1/6")	6,35 mm (1/4")	4,23 mm (1/6")	6,35 mm (1/4")	PFA

OPTUBUS GmbH – www.optubus.de – info@optubus.com

OPTUBUS believes that the information in this technical data sheet is an accurate description of the typical uses of the product. OPTUBUS, however, disclaims any liability for incidental or consequent damages, which may result from the use of the product that are beyond its control. Therefore it is the user's responsibility to thoroughly test the product in their particular application to determine its performance, efficiency and safety. Nothing contained herein is to be considered as permission or a recommendation to infringe any patent or any other intellectual property right.

Part number	Id1 = Inner-Ø Tubing 1:	Ad1 = Outer-Ø Tubing1:	Id2 = Inner-Ø Tubing 2:	Ad2 = Outer-Ø Tubing2:	Id3 = Inner-Ø Tubing 3:	Ad3 = Outer-Ø Tubing3:	Material:
PFTV0005	4,76 mm (3/16")	6,35 mm (1/4")	4,76 mm (3/16")	6,35 mm (1/4")	4,76 mm (3/16")	6,35 mm (1/4")	PFA
PFTV0006	5,0 mm	8,0 mm	5,0 mm	8,0 mm	5,0 mm	8,0 mm	PFA
PFTV0007	6,0 mm	8,0 mm	4,23 mm (1/6")	6,35 mm (1/4")	4,23 mm (1/6")	6,35 mm (1/4")	PFA
PFTV0008	6,0 mm	8,0 mm	4,0 mm	6,0 mm	6,0 mm	8,0 mm	PFA
PFTV0009	6,0 mm	8,0 mm	6,0 mm	8,0 mm	4,0 mm	6,0 mm	PFA
PFTV0010	6,0 mm	8,0 mm	6,0 mm	8,0 mm	6,0 mm	8,0 mm	PFA
PFTV0011	6,0 mm	8,0 mm	6,0 mm	8,0 mm	8,0 mm	10,0 mm	PFA
PFTV0012	6,0 mm	10,0 mm	6,0 mm	8,0 mm	6,0 mm	8,0 mm	PFA
PFTV0013	6,0 mm	10,0 mm	6,0 mm	10,0 mm	6,0 mm	10,0 mm	PFA
PFTV0014	6,35 mm (1/4")	9,53 mm (3/8")	6,35 mm (1/4")	9,53 mm (3/8")	3,97 mm (5/32")	6,35 mm (1/4")	PFA
PFTV0015	6,35 mm (1/4")	9,53 mm (3/8")	6,35 mm (1/4")	9,53 mm (3/8")	4,23 mm (1/6")	6,35 mm (1/4")	PFA
PFTV0016	6,35 mm (1/4")	9,53 mm (3/8")	6,35 mm (1/4")	9,53 mm (3/8")	6,35 mm (1/4")	9,53 mm (3/8")	PFA
PFTV0017	8,0 mm	10,0 mm	8,0 mm	10,0 mm	4,0 mm	6,0 mm	PFA
PFTV0018	8,0 mm	10,0 mm	8,0 mm	10,0 mm	6,0 mm	8,0 mm	PFA
PFTV0019	8,0 mm	10,0 mm	8,0 mm	10,0 mm	8,0 mm	10,0 mm	PFA
PFTV0020	8,0 mm	12,0 mm	8,0 mm	12,0 mm	8,0 mm	12,0 mm	PFA
PFTV0021	9,0 mm	12,0 mm	9,0 mm	12,0 mm	9,0 mm	12,0 mm	PFA
PFTV0022	9,53 mm (3/8")	12,7 mm (1/2")	9,53 mm (3/8")	12,7 mm (1/2")	9,53 mm (3/8")	12,7 mm (1/2")	PFA
PFTV0023	10,0 mm	12,0 mm	4,0 mm	6,0 mm	10,0 mm	12,0 mm	PFA
PFTV0024	10,0 mm	12,0 mm	10,0 mm	12,0 mm	4,0 mm	6,0 mm	PFA
PFTV0025	10,0 mm	12,0 mm	10,0 mm	12,0 mm	6,0 mm	8,0 mm	PFA
PFTV0026	10,0 mm	12,0 mm	10,0 mm	12,0 mm	6,35 mm (1/4")	9,53 mm (3/8")	PFA
PFTV0027	10,0 mm	12,0 mm	10,0 mm	12,0 mm	10,0 mm	12,0 mm	PFA
PFTV0028	10,0 mm	14,0 mm	10,0 mm	14,0 mm	10,0 mm	14,0 mm	PFA
PFTV0029	12,0 mm	14,0 mm	12,0 mm	14,0 mm	12,0 mm	14,0 mm	PFA
PFTV0030	12,0 mm	16,0 mm	10,0 mm	12,0 mm	10,0 mm	12,0 mm	PFA
PFTV0031	12,0 mm	16,0 mm	12,0 mm	16,0 mm	12,0 mm	16,0 mm	PFA
PFTV0032	14,0 mm	16,0 mm	14,0 mm	16,0 mm	14,0 mm	16,0 mm	PFA
PFTV0033	15,88 mm (5/8")	19,05 mm (3/4")	15,88 mm (5/8")	19,05 mm (3/4")	9,53 mm (3/8")	12,7 mm (1/2")	PFA
PFTV0034	15,88 mm (5/8")	19,05 mm (3/4")	15,88 mm (5/8")	19,05 mm (3/4")	15,88 mm (5/8")	19,05 mm (3/4")	PFA
PFTV0035	16,0 mm	20,0 mm	16,0 mm	20,0 mm	10,0 mm	12,0 mm	PFA
PFTV0036	22,23 mm (7/8")	25,4 mm (1")	22,23 mm (7/8")	25,4 mm (1")	15,88 mm (5/8")	19,05 mm (3/4")	PFA
PFTV0037	22,23 mm (7/8")	25,4 mm (1")	22,23 mm (7/8")	25,4 mm (1")	22,23 mm (7/8")	25,4 mm (1")	PFA

PVDF Tee-Tubing Connector Standard Sizes

Part number	Id1 = Inner-Ø Tubing 1:	Ad1 = Outer-Ø Tubing1:	Id2 = Inner-Ø Tubing 2:	Ad2 = Outer-Ø Tubing2:	Id3 = Inner-Ø Tubing 3:	Ad3 = Outer-Ø Tubing3:	Material:
PVTV0001	3,18 mm (1/8")	6,35 mm (1/4")	3,18 mm (1/8")	6,35 mm (1/4")	3,18 mm (1/8")	6,35 mm (1/4")	PVDF
PVTV0002	3,97 mm (5/32")	6,35 mm (1/4")	3,97 mm (5/32")	6,35 mm (1/4")	3,97 mm (5/32")	6,35 mm (1/4")	PVDF
PVTV0003	4,0 mm	6,0 mm	4,0 mm	6,0 mm	4,0 mm	6,0 mm	PVDF
PVTV0004	4,0 mm	6,0 mm	4,0 mm	6,0 mm	6,0 mm	8,0 mm	PVDF
PVTV0005	4,23 mm (1/6")	6,35 mm (1/4")	4,23 mm (1/6")	6,35 mm (1/4")	4,23 mm (1/6")	6,35 mm (1/4")	PVDF
PVTV0006	5,0 mm	8,0 mm	5,0 mm	8,0 mm	5,0 mm	8,0 mm	PVDF
PVTV0007	6,0 mm	8,0 mm	4,0 mm	6,0 mm	4,0 mm	6,0 mm	PVDF
PVTV0008	6,0 mm	8,0 mm	6,0 mm	8,0 mm	4,0 mm	6,0 mm	PVDF
PVTV0009	6,0 mm	8,0 mm	6,0 mm	8,0 mm	6,0 mm	8,0 mm	PVDF
PVTV0010	6,0 mm	8,0 mm	6,0 mm	8,0 mm	10,0 mm	12,0 mm	PVDF
PVTV0011	6,0 mm	9,0 mm	6,0 mm	9,0 mm	6,0 mm	9,0 mm	PVDF
PVTV0012	6,35 mm (1/4")	9,53 mm (3/8")	6,35 mm (1/4")	9,53 mm (3/8")	4,23 mm (1/6")	6,35 mm (1/4")	PVDF
PVTV0013	6,35 mm (1/4")	9,53 mm (3/8")	6,35 mm (1/4")	9,53 mm (3/8")	6,35 mm (1/4")	9,53 mm (3/8")	PVDF
PVTV0014	8,0 mm	10,0 mm	6,0 mm	8,0 mm	8,0 mm	10,0 mm	PVDF
PVTV0015	8,0 mm	10,0 mm	8,0 mm	10,0 mm	6,0 mm	8,0 mm	PVDF
PVTV0016	8,0 mm	10,0 mm	8,0 mm	10,0 mm	10,0 mm	12,0 mm	PVDF
PVTV0017	8,0 mm	10,0 mm	8,0 mm	10,0 mm	8,0 mm	10,0 mm	PVDF
PVTV0018	8,0 mm	12,0 mm	8,0 mm	12,0 mm	8,0 mm	12,0 mm	PVDF
PVTV0019	9,0 mm	12,0 mm	9,0 mm	12,0 mm	9,0 mm	12,0 mm	PVDF
PVTV0020	9,53 mm (3/8")	12,7 mm (1/2")	9,53 mm (3/8")	12,7 mm (1/2")	9,53 mm (3/8")	12,7 mm (1/2")	PVDF
PVTV0021	10,0 mm	12,0 mm	6,0 mm	8,0 mm	6,0 mm	8,0 mm	PVDF
PVTV0022	10,0 mm	12,0 mm	10,0 mm	12,0 mm	4,0 mm	6,0 mm	PVDF
PVTV0023	10,0 mm	12,0 mm	10,0 mm	12,0 mm	6,0 mm	8,0 mm	PVDF
PVTV0024	10,0 mm	12,0 mm	10,0 mm	12,0 mm	10,0 mm	12,0 mm	PVDF
PVTV0025	12,0 mm	14,0 mm	12,0 mm	14,0 mm	12,0 mm	14,0 mm	PVDF
PVTV0026	15,88 mm (5/8")	19,05 mm (3/4")	15,88 mm (5/8")	19,05 mm (3/4")	15,88 mm (5/8")	19,05 mm (3/4")	PVDF
PVTV0027	18,0 mm	20,0 mm	18,0 mm	20,0 mm	18,0 mm	20,0 mm	PVDF

PP Tee-Tubing Connector Standard Sizes

Part number	Id1 = Inner-Ø Tubing 1:	Ad1 = Outer-Ø Tubing1:	Id2 = Inner-Ø Tubing 2:	Ad2 = Outer-Ø Tubing2:	Id3 = Inner-Ø Tubing 3:	Ad3 = Outer-Ø Tubing3:	Material:
PPTV0001	4,0 mm	6,0 mm	4,0 mm	6,0 mm	4,0 mm	6,0 mm	PP
PPTV0002	4,0 mm	6,0 mm	4,0 mm	6,0 mm	6,0 mm	8,0 mm	PP
PPTV0003	4,0 mm	6,0 mm	4,0 mm	6,0 mm	8,0 mm	10,0 mm	PP
PPTV0004	4,23 mm (1/6")	6,35 mm (1/4")	4,23 mm (1/6")	6,35 mm (1/4")	4,23 mm (1/6")	6,35 mm (1/4")	PP
PPTV0005	5,0 mm	8,0 mm	5,0 mm	8,0 mm	5,0 mm	8,0 mm	PP

OPTUBUS GmbH – www.optubus.de – info@optubus.com

OPTUBUS believes that the information in this technical data sheet is an accurate description of the typical uses of the product. OPTUBUS, however, disclaims any liability for incidental or consequent damages, which may result from the use of the product that are beyond its control. Therefore it is the user's responsibility to thoroughly test the product in their particular application to determine its performance, efficiency and safety. Nothing contained herein is to be considered as permission or a recommendation to infringe any patent or any other intellectual property right.

Part number	Id1 = Inner-Ø Tubing 1:	Ad1 = Outer-Ø Tubing1:	Id2 = Inner-Ø Tubing 2:	Ad2 = Outer-Ø Tubing2:	Id3 = Inner-Ø Tubing 3:	Ad3 = Outer-Ø Tubing3:	Material:
PPTV0006	6,0 mm	8,0 mm	6,0 mm	8,0 mm	6,0 mm	8,0 mm	PP
PPTV0007	6,0 mm	9,0 mm	6,0 mm	9,0 mm	6,0 mm	9,0 mm	PP
PPTV0008	6,0 mm	10,0 mm	6,0 mm	10,0 mm	6,0 mm	10,0 mm	PP
PPTV0009	8,0 mm	10,0 mm	4,0 mm	6,0 mm	8,0 mm	10,0 mm	PP
PPTV0010	8,0 mm	10,0 mm	8,0 mm	10,0 mm	4,0 mm	6,0 mm	PP
PPTV0011	8,0 mm	10,0 mm	8,0 mm	10,0 mm	8,0 mm	10,0 mm	PP
PPTV0012	8,0 mm	10,0 mm	8,0 mm	10,0 mm	10,0 mm	12,0 mm	PP
PPTV0013	8,0 mm	12,0 mm	9,53 mm (3/8")	12,7 mm (1/2")	8,0 mm	12,0 mm	PP
PPTV0014	8,0 mm	12,0 mm	8,0 mm	12,0 mm	4,0 mm	6,0 mm	PP
PPTV0015	8,0 mm	12,0 mm	8,0 mm	12,0 mm	8,0 mm	12,0 mm	PP
PPTV0016	8,0 mm	12,0 mm	8,0 mm	12,0 mm	9,53 mm (3/8")	12,7 mm (1/2")	PP
PPTV0017	9,0 mm	12,0 mm	9,0 mm	12,0 mm	9,0 mm	12,0 mm	PP
PPTV0018	9,53 mm (3/8")	12,7 mm (1/2")	9,53 mm (3/8")	12,7 mm (1/2")	9,53 mm (3/8")	12,7 mm (1/2")	PP
PPTV0019	10,0 mm	12,0 mm	10,0 mm	12,0 mm	4,0 mm	6,0 mm	PP
PPTV0020	10,0 mm	12,0 mm	10,0 mm	12,0 mm	6,0 mm	8,0 mm	PP
PPTV0021	10,0 mm	12,0 mm	10,0 mm	12,0 mm	10,0 mm	12,0 mm	PP
PPTV0022	10,0 mm	14,0 mm	10,0 mm	14,0 mm	10,0 mm	14,0 mm	PP
PPTV0023	12,0 mm	14,0 mm	12,0 mm	14,0 mm	12,0 mm	14,0 mm	PP
PPTV0024	15,88 mm (5/8")	19,05 mm (3/4")	15,88 mm (5/8")	19,05 mm (3/4")	15,88 mm (5/8")	19,05 mm (3/4")	PP
PPTV0025	16,0 mm	20,0 mm	16,0 mm	20,0 mm	16,0 mm	20,0 mm	PP